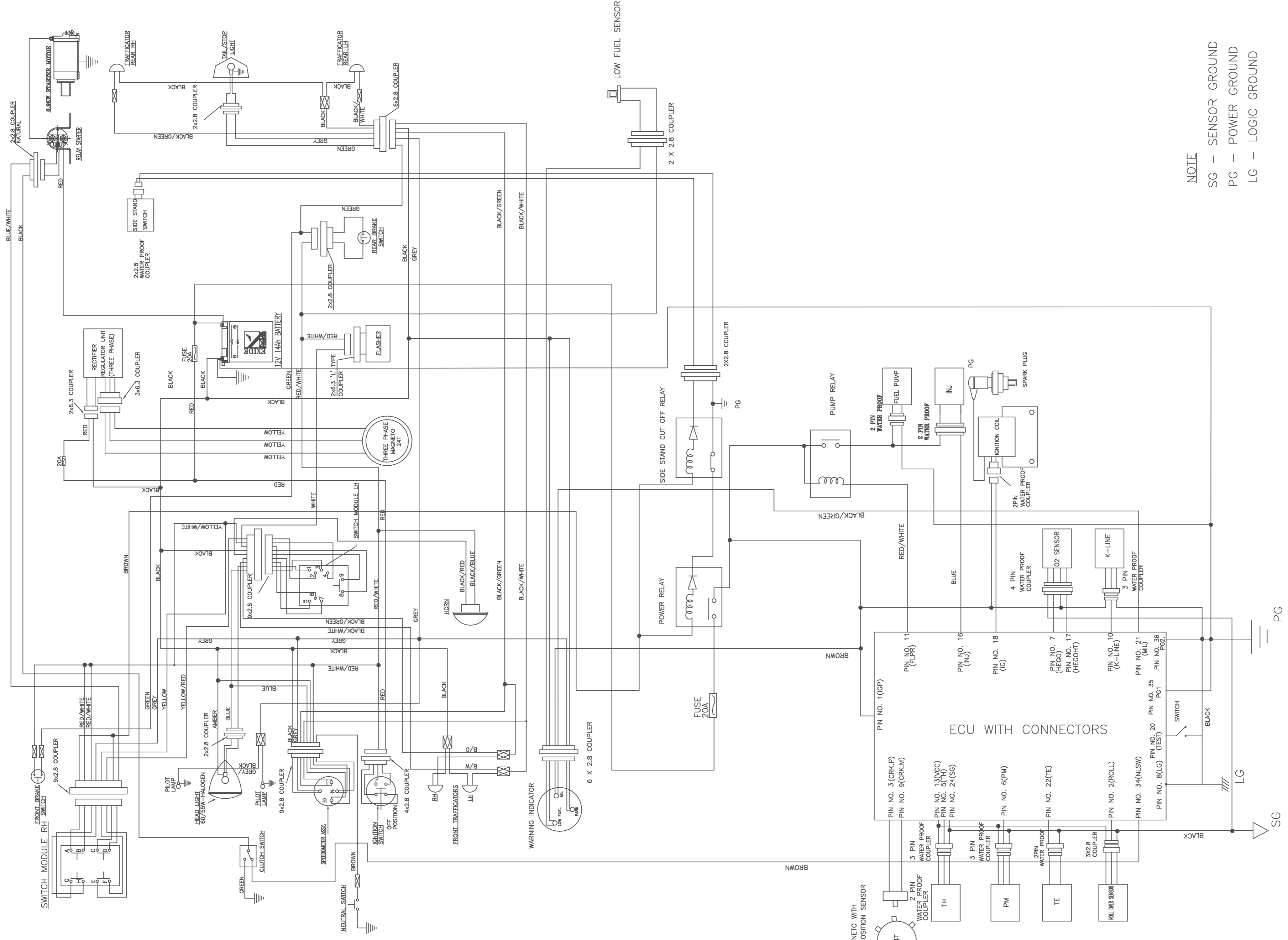


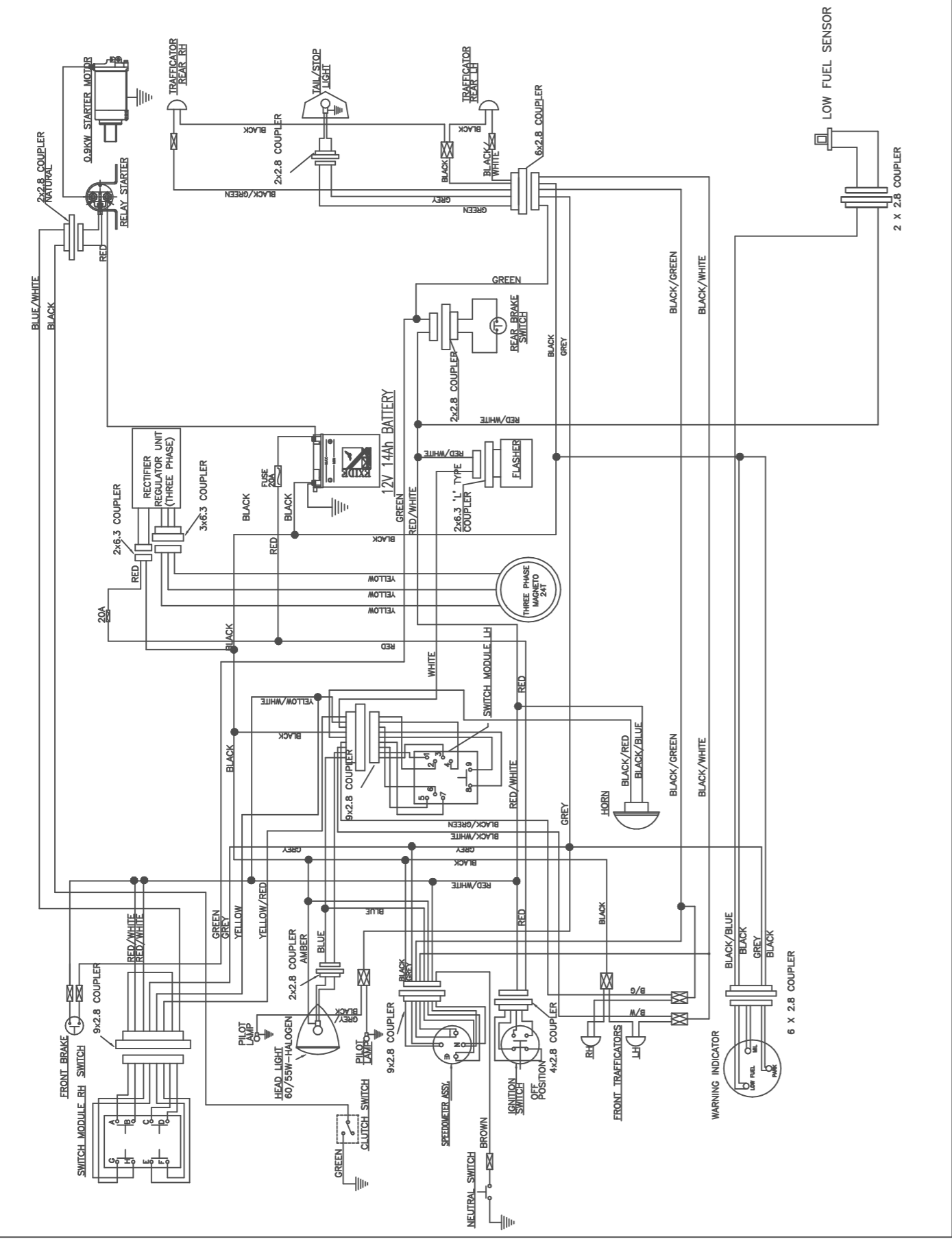
COMPLETE WIRING DIAGRAM — EFI



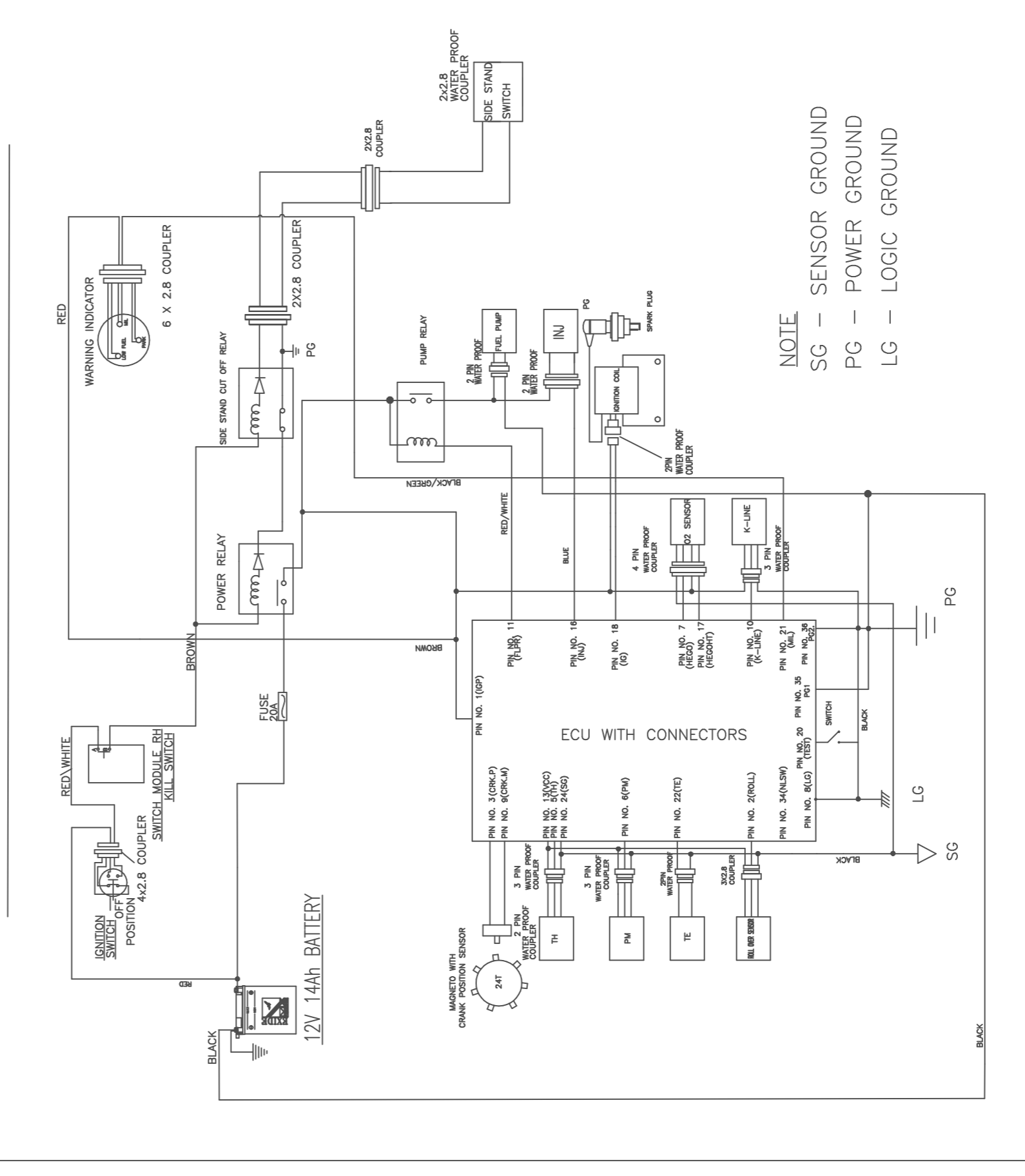
NOTE

- SG — SENSOR GROUND
- PG — POWER GROUND
- LG — LOGIC GROUND

CHARGING AND ELECTRICAL LOADS CIRCUIT DIAGRAM — EFI



IGNITION CIRCUIT — EFI



- NOTE**
- SG — SENSOR GROUND
 - PG — POWER GROUND
 - LG — LOGIC GROUND

SL NO	REVISION	BRAND	DATE	NEW RELEASE	DETAILS	APPLY																																																																																																						
0	0	0	21/08/09	0	REVISION	APPLY																																																																																																						
<p>UNSPECIFIED DIMENSIONS TOLERANCES</p> <table border="1"> <tr> <td>FOR P/N</td> <td>1</td> <td>2</td> <td>3</td> <td>4</td> <td>5</td> <td>6</td> <td>7</td> <td>8</td> <td>9</td> <td>10</td> <td>11</td> <td>12</td> <td>13</td> <td>14</td> <td>15</td> <td>16</td> <td>17</td> <td>18</td> <td>19</td> <td>20</td> <td>21</td> <td>22</td> <td>23</td> <td>24</td> <td>25</td> <td>26</td> <td>27</td> <td>28</td> <td>29</td> <td>30</td> <td>31</td> <td>32</td> <td>33</td> <td>34</td> <td>35</td> <td>36</td> <td>37</td> <td>38</td> <td>39</td> <td>40</td> <td>41</td> <td>42</td> <td>43</td> <td>44</td> <td>45</td> <td>46</td> <td>47</td> <td>48</td> <td>49</td> <td>50</td> </tr> <tr> <td>DIMENSIONS</td> <td>1</td> <td>2</td> <td>3</td> <td>4</td> <td>5</td> <td>6</td> <td>7</td> <td>8</td> <td>9</td> <td>10</td> <td>11</td> <td>12</td> <td>13</td> <td>14</td> <td>15</td> <td>16</td> <td>17</td> <td>18</td> <td>19</td> <td>20</td> <td>21</td> <td>22</td> <td>23</td> <td>24</td> <td>25</td> <td>26</td> <td>27</td> <td>28</td> <td>29</td> <td>30</td> <td>31</td> <td>32</td> <td>33</td> <td>34</td> <td>35</td> <td>36</td> <td>37</td> <td>38</td> <td>39</td> <td>40</td> <td>41</td> <td>42</td> <td>43</td> <td>44</td> <td>45</td> <td>46</td> <td>47</td> <td>48</td> <td>49</td> <td>50</td> </tr> </table> <p>MACHINED: H11 H12 H13 H14 H15 H16 H17 H18 H19 H20 H21 H22 H23 H24 H25 H26 H27 H28 H29 H30 H31 H32 H33 H34 H35 H36 H37 H38 H39 H40 H41 H42 H43 H44 H45 H46 H47 H48 H49 H50</p> <p>FABRICATED: H43 H44 H45 H46 H47 H48 H49 H50</p> <p>CASTING: CLASS 1, IS 2013-99</p> <p>FINISH: TO 2459 QMT 110 - 1974</p> <p>UNSPECIFIED FINISH</p> <p>COMPONENT MASS</p>							FOR P/N	1	2	3	4	5	6	7	8	9	10	11	12	13	14	15	16	17	18	19	20	21	22	23	24	25	26	27	28	29	30	31	32	33	34	35	36	37	38	39	40	41	42	43	44	45	46	47	48	49	50	DIMENSIONS	1	2	3	4	5	6	7	8	9	10	11	12	13	14	15	16	17	18	19	20	21	22	23	24	25	26	27	28	29	30	31	32	33	34	35	36	37	38	39	40	41	42	43	44	45	46	47	48	49	50
FOR P/N	1	2	3	4	5	6	7	8	9	10	11	12	13	14	15	16	17	18	19	20	21	22	23	24	25	26	27	28	29	30	31	32	33	34	35	36	37	38	39	40	41	42	43	44	45	46	47	48	49	50																																																										
DIMENSIONS	1	2	3	4	5	6	7	8	9	10	11	12	13	14	15	16	17	18	19	20	21	22	23	24	25	26	27	28	29	30	31	32	33	34	35	36	37	38	39	40	41	42	43	44	45	46	47	48	49	50																																																										
<p>REVISION DETAILS</p> <table border="1"> <tr> <th>REVISION</th> <th>DESCRIPTION</th> <th>DATE</th> </tr> <tr> <td>01</td> <td>HEAT TREATMENT</td> <td>18/08/09</td> </tr> <tr> <td>02</td> <td>SURFACE TREATMENT</td> <td>18/08/09</td> </tr> </table>							REVISION	DESCRIPTION	DATE	01	HEAT TREATMENT	18/08/09	02	SURFACE TREATMENT	18/08/09																																																																																													
REVISION	DESCRIPTION	DATE																																																																																																										
01	HEAT TREATMENT	18/08/09																																																																																																										
02	SURFACE TREATMENT	18/08/09																																																																																																										
<p>SAFETY / REGULATION</p> <table border="1"> <tr> <th>SAFETY / REGULATION</th> <th>APPLY</th> </tr> <tr> <td>HEAT TREATMENT</td> <td>18/08/09</td> </tr> <tr> <td>SURFACE TREATMENT</td> <td>18/08/09</td> </tr> </table>							SAFETY / REGULATION	APPLY	HEAT TREATMENT	18/08/09	SURFACE TREATMENT	18/08/09																																																																																																
SAFETY / REGULATION	APPLY																																																																																																											
HEAT TREATMENT	18/08/09																																																																																																											
SURFACE TREATMENT	18/08/09																																																																																																											
<p>WIRING DIAGRAM — EFI</p> <table border="1"> <tr> <th>WIRING DIAGRAM</th> <th>SCALE</th> <th>NTS</th> <th>DESCRIPTION</th> <th>APPLY</th> </tr> <tr> <td>5911557/a</td> <td>1/1</td> <td>1</td> <td>WIRING DIAGRAM — EFI</td> <td>18/08/09</td> </tr> </table>							WIRING DIAGRAM	SCALE	NTS	DESCRIPTION	APPLY	5911557/a	1/1	1	WIRING DIAGRAM — EFI	18/08/09																																																																																												
WIRING DIAGRAM	SCALE	NTS	DESCRIPTION	APPLY																																																																																																								
5911557/a	1/1	1	WIRING DIAGRAM — EFI	18/08/09																																																																																																								